

HYGIENIC VALVES AND FITTINGS LIMITED

HVF



HYGIENIC STAINLESS STEEL VALVES

Butterfly valves

Designed for manual and air actuated operation, these valves have been well proven for reliability after many years use in process plants worldwide.

Design: Robust simple construction. Machined bodies from solid stainless steel forgings. Easy action open/close handle. Seal profile ensures numerous trouble free operations.

Materials: All contact surfaces in 304 or 316 grade stainless steel.

Duty: The valve is intended to handle products in the food and beverage process industries up to a maximum working pressure of 10 bar.

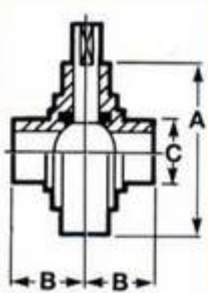
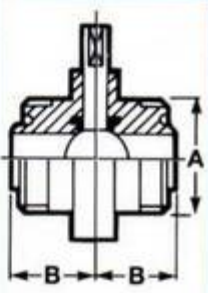
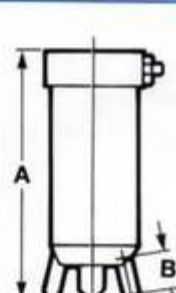
Seal materials: The standard seal is Silicon. Other materials available are Epdm, Viton, and PTFE. Temperature limits for Silicon -20°C to +110°C but suitable for intermittent steam up to +130°C.

Sizes and connections: 1", 1½", 2", 2½", 3" and 4": RJT, IDF, SMS, DIN, CLAMP, PLAIN ENDED (for welding). Male/Male is standard. Other end combinations can be fitted on request.

Manual options: 10 Position handle · 20 position handle · Micrometric handle · Microswitches or proximity switches + brackets + special handle for open and/or closed indication.

Actuator: Vertical cylindrical type single acting stainless steel actuator for direct mounting to valve. Option to fit control unit with solenoid valve and/or microswitches. Alternatively proximity switches can be mounted between actuator and valve.



PLAIN	RJT M/M			IDF M/M			ACTUATOR					
		A	B	C			A	B			A	B
1"	79	34	25.4	1"	47	34	1"	38	34	1"	241	64
1½"	85	38	38.1	1½"	59	38	1½"	51	38	1½"	241	64
2"	105	40	50.8	2"	74	40	2"	65	40	2"	241	64
2½"	112	40	63.5	2½"	86	40	2½"	78	40	2½"	235	58
3"	125	41	76.2	3"	99	41	3"	92	41	3"	235	58
4"	157	44	101.6	4"	124	44	4"	119	44	4"	235	58

Plug cocks

2 way and 3 way plug cocks for use in process lines where "full bore" is a requirement. 3 way plug cocks enable product flow diversion by manual control.

Design: Optimum plug taper angle for easy rotation. Body and plug machined from hot steel forgings. Quick release screw cap enables fast removal of plug. Suitable for max. line pressure 4 bar.

Materials: Available in 304 or 316 grade stainless steel. Plug thick hard chrome plated.

Seal materials: Seal rings as standard are in Nitrile rubber. Also available in PTFE.

Sizes and connections: 2 way and 3 way 1", 1½", 2", 2½", 3" and 4": RJT, IDF, SMS, DIN, CLAMP, PLAIN ENDED (for welding). Male ends are standard. Other end combinations can be fitted on request.



RJT 2 WAY

Size	Dimensions	
	A	B
1"	47	65.2
1½"	59	84.5
2"	74	93.7
2½"	86	104.7
3"	99	119.7
4"	124	142.7

RJT 3 WAY

Size	Dimensions	
	A	B
1"	47	65.2
1½"	59	84.5
2"	74	93.7
2½"	86	104.7
3"	99	119.7
4"	124	142.7

IDF 2 WAY

Size	Dimensions	
	A	B
1"	38	62.5
1½"	51	80
2"	65	85
2½"	78	100
3"	92	115
4"	119	138

IDF 3 WAY

Size	Dimensions	
	A	B
1"	38	62.5
1½"	51	80
2"	65	85
2½"	78	100
3"	92	115
4"	119	138

Sample cocks

Tapered plug style sample cocks with alternatively bend or serrated hose outlets. Inlet connection ¼", ⅜" or ½" BSP male. Available in 304 or 316 grade stainless steel.

HOSE

Inlet Size	Dimensions	
	A	B
¼" BSP	70	
⅜" BSP	83	
½" BSP	106	

BEND

Inlet Size	Dimensions	
	A	B
¼" BSP	60	
⅜" BSP	60	
½" BSP	68	

Pneumatic valves

A full range of multiport routing and on/off pneumatic valves designed for the remote control of product flow.

Design: Using primary body only and single seat poppet, on/off flow is achieved. By introducing secondary body between primary body and actuator and double seated poppet, product routing is possible. Actuator is available air/spring or air/air. Control unit easily mounted to top of cylindrical actuator houses solenoid control valve and/or microswitches or proximity switches.

Materials: Available in 304 or 316 grade stainless steel.

Seal materials: Product contact seal rings, as standard, are in Nitrile rubber and PTFE.

Sizes and connections: 1", 1½", 2", 2½" 3" & 4": RJT, IDF, SMS, DIN, CLAMP, PLAIN ENDED (for welding). Male ends are standard. Other end combinations can be fitted on request.



PLAIN 2 WAY

	A	B	C
1"	312	68	25.4
1½"	312	68	38.1
2"	342	75	50.8
2½"	395	80	63.5
3"	446	93	76.2
4"	530	135	101.6

RJT 2 WAY

	A	B	C
1"	325	64	47
1½"	325	64	59
2"	354	71	74
2½"	408	76	86
3"	461	89	99
4"	530	131	124

IDF 2 WAY

	A	B	C
1"	325	68	38
1½"	325	68	51
2"	354	75	65
2½"	408	85	78
3"	461	93	92
4"	530	135	119

PLAIN 3 WAY

	A	B	C
1"	393	68	81
1½"	393	68	81
2"	437	75	95
2½"	510	80	115
3"	577	93	131
4"	685	135	157

RJT 3 WAY

	A	B	C
1"	389	64	38
1½"	389	64	51
2"	433	71	65
2½"	506	76	78
3"	573	89	92
4"	683	131	119

IDF 3 WAY

	A	B	C
1"	393	68	38
1½"	393	68	51
2"	437	75	65
2½"	510	85	78
3"	577	93	92
4"	687	135	119

Strainers 90° and In Line

90° and in line strainers are designed for fitting into line and are used typically as a protection device in order to safeguard valuable items of equipment e.g. pumps. They are also suitable for extracting from product larger solids e.g. fruit pieces. These strainers are not designed for very fine filtration.

Design: Cylindrical element gives maximum surface filtration area. 'O' ring seals on element ensure complete protection. Quick release nut enables cartridge to be easily removed for cleaning. Element from 90° strainer can be removed without disconnecting strainer body from pipeline. 50 mesh (1mm dia holes) fitted as standard. 100-500 mesh elements available on request. Temperature limit +130°C.

Materials: Available in 304 or 316 grade stainless steel.

Seal materials: Seal rings, as standard, are in Nitrile rubber. Also available in PTFE.

Sizes and connections: 1", 1½", 2", 2½" 3" & 4": RJT, IDF, SMS, DIN, CLAMP, PLAIN ENDED (for welding). Male ends are standard. Other end combinations can be fitted on request.



PLAIN IN LINE

	A	B
1"	316	70
1½"	316	70
2"	417	70
2½"	522	85
3"	578	102
4"	671	129

RJT IN LINE

	A
1"	360
1½"	360
2"	461
2½"	566
3"	622
4"	715

IDF IN LINE

	A
1"	358
1½"	358
2"	459
2½"	564
3"	620
4"	713

PLAIN 90°

	A	B
1"	300	112
1½"	300	112
2"	400	112
2½"	500	127
3"	555	148
4"	650	148

RJT 90°

	A	B
1"	322	112
1½"	322	112
2"	422	112
2½"	522	127
3"	577	148
4"	672	148

IDF 90°

	A	B
1"	321	112
1½"	321	112
2"	421	112
2½"	521	127
3"	576	148
4"	671	148

Pressure relief valves

For pipeline use, the HVF range of pressure relief valves are designed for protection against product pressure build up.

Design: Right angled port configuration with encased springs. Standard springs are adjustable from 1 to 7 bar. Special springs can be supplied to increase pressure setting range up to 10 bar.

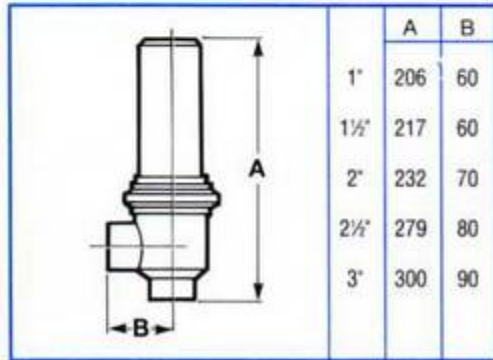
Materials: All contact surfaces in 304 or 316 grade stainless steel.

Seal materials: Product contact seal rings, as standard, are in Nitrile rubber and PTFE.

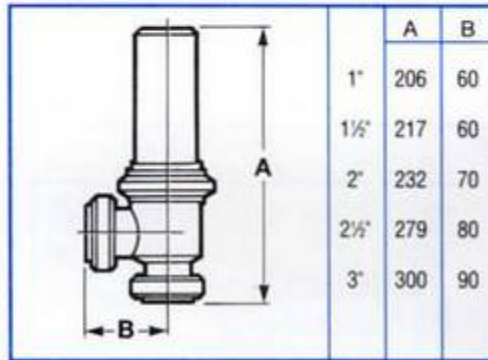
Sizes and connections: 1", 1½", 2", 2½" and 3": RJT, IDF, SMS, DIN, CLAMP, PLAIN ENDED (for welding). Male ends are standard.



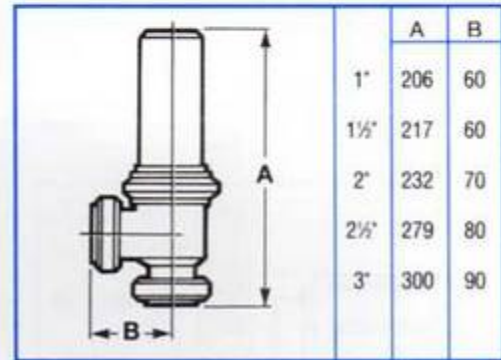
PLAIN



RJT



IDF



Non return valves

For pipeline use, the HVF range of non return valves are designed to allow product flow at low pressure but to prevent any return.

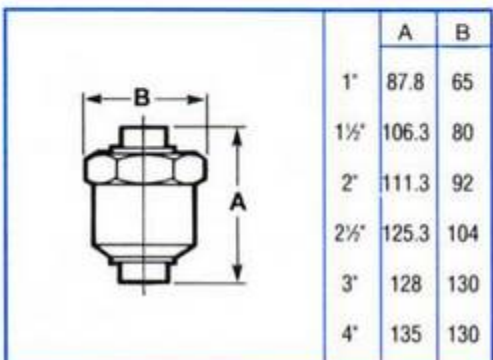
Design: Straight through design with fully cleanable internal components. Lightweight spring to allow product flow at minimum pressure. Valves can be mounted in vertical or horizontal positions.

Materials: Available in 304 or 316 grade stainless steel.

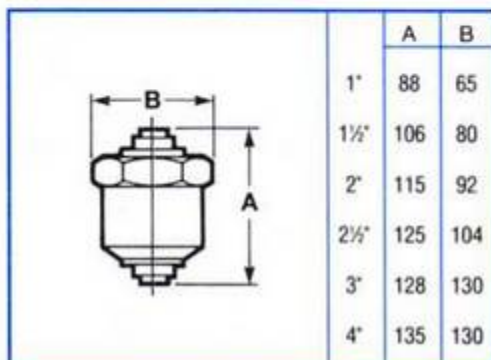
Sizes and connections: 1", 1½", 2", 2½", 3" & 4": RJT, IDF, SMS, DIN, CLAMP, PLAIN ENDED (for welding). Male ends are standard.



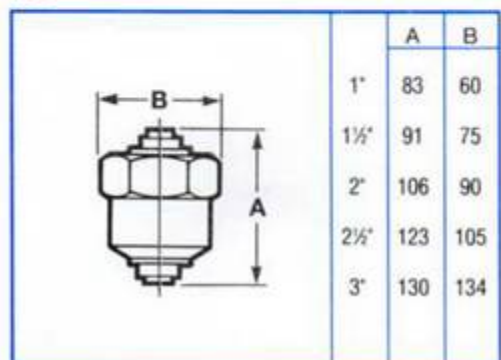
PLAIN



RJT



IDF



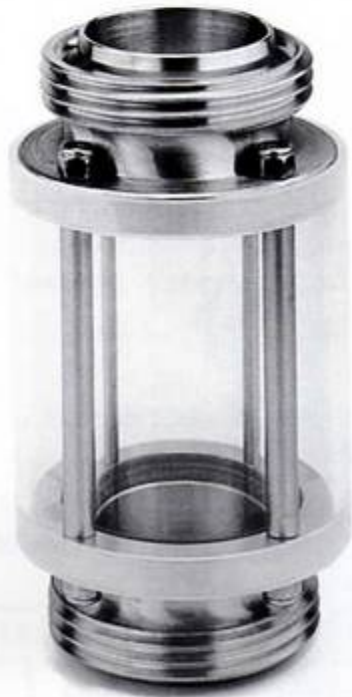
Sight glasses

The HVF range of sight glasses enable in-line viewing of product.

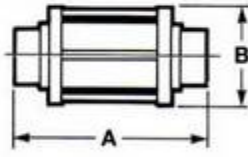
Design: Flanged body construction connected by means of tie rods ensures suitability for high axial loads. Internal Pyrex glass can withstand pressure up to 20kg/cm². Outer Perspex shield acts as operator protection. Internal Silicon seals achieve a fully leak proof design. Temperature limit +110°C.

Materials: Available in 304 or 316 grade stainless steel. Internal glass Pyrex. Safety shield Perspex. Internal seals Silicon (other seal materials available on request).

Sizes and connections: 1", 1½", 2", 2½", 3" and 4": RJT, IDF, SMS, DIN, CLAMP, PLAIN ENDED (for welding). Male ends are standard.

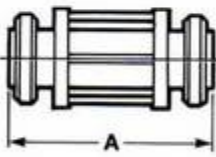


PLAIN



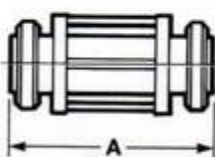
	A	B
1"	165	55
1½"	165	70
2"	165	85
2½"	165	95
3"	165	105
4"	165	140

RJT



	A
1"	165
1½"	165
2"	165
2½"	165
3"	165
4"	165

IDF



	A
1"	165
1½"	165
2"	165
2½"	165
3"	165
4"	165

The information given in this leaflet could be subject to change without notification.

HYGIENIC VALVES AND FITTINGS LIMITED

Unit 8 · Huffwood Trading Estate · High Street
 Partridge Green · West Sussex · RH13 8AU
 Tel: (01403) 710255 · Fax: (01403) 710338