

HYGIENIC VALVES AND FITTINGS LIMITED

HVF

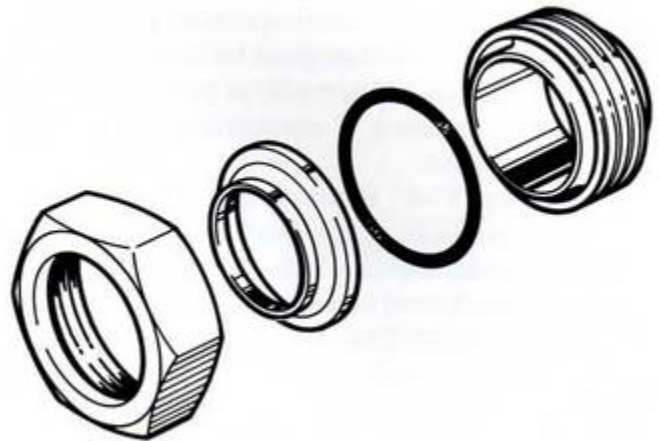


HYGIENIC STAINLESS STEEL PIPE FITTINGS

RJT

Manufactured to BS1864 and used extensively in the UK. The design of the Pipe Union to this Standard offers the user easy assembly which is particularly beneficial where frequent dismantling of pipework occurs e.g. sterilisation purposes. Weld Fittings 1"-4". Expand Type 1"-3".

Products available to this Standard are as follows:- Fitted Bends · Tees · Concentric and Eccentric Reducers (any combination of end connection) · Blank Male Parts · Hexagon Nut Spanners · Expanding Blocks · Cutting Wrenches · Expanders. All in addition to the Union Fittings detailed below.



HEX NUT		WELD LINER			SEAL		WELD MALE						
		A	B			A	B			A	B	C	
	1"	51	22		1"	25.4	10			1"	25.4	31.7	46.8
	1½"	65	22		1½"	38.1	10			1½"	38.1	31.7	58.8
	2"	79	22		2"	50.8	10			2"	50.8	31.7	73.6
	2½"	92	22		2½"	63.5	10			2½"	63.5	31.7	85.6
	3"	105	22		3"	76.2	10			3"	76.2	31.7	98.6
4"	129	22	4"	101.6	13	4"	101.6	31.7	123.6				

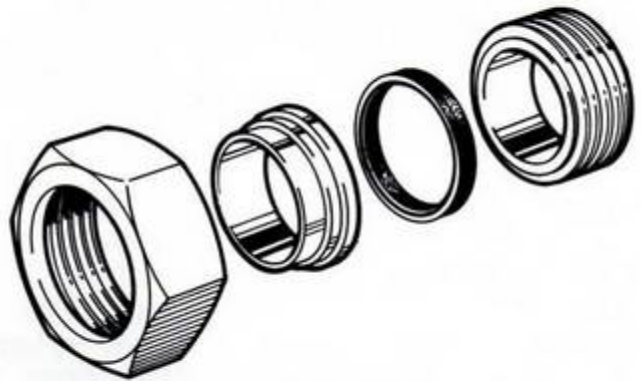
BLANK NUT & CHAIN		EXPAND LINER			BLANK LINER		EXPAND MALE										
		A	B			A	B	C			A	B		A	B	C	
	1"	51	22		1"	25.4	20	41.2		1"	41.2	8		1"	25.4	20	46.8
	1½"	65	22		1½"	38.1	24	53.9		1½"	53.9	8		1½"	38.1	24	58.8
	2"	79	22		2"	50.8	28	66.7		2"	66.7	8		2"	50.8	28	73.6
	2½"	92	22		2½"	63.5	32	79.4		2½"	79.4	8		2½"	63.5	32	85.6
	3"	105	22		3"	76.2	32	92		3"	92	8		3"	76.2	32	98.6
4"	129	22	4"	129	22	4"	117.2	8									

HOSE LINER		REDUCING LINER WELD		REDUCING LINER EXPAND			BSP ADAPTOR							
		A	B		ALL SIZES 20			A	B					
	1"	41.2	112					1½"/1"	25.4	28	53.9	1"	46.8	51
	1½"	53.9	112					2"/1"	25.4	30	66.7	1½"	58.8	51
	2"	66.7	112					2½"/1½"	38.1	30	66.7	2"	73.6	51
	2½"	79.4	112					2½"/2"	50.8	35	79.4	2½"	85.6	51
	3"	92	112					2½"/1½"	38.1	35	79.4	3"	98.6	51
4"	117	112	3"/2"	50.8	39	92	4"	123.6	51					
				3½"/2½"	63.5	39	92							

IDF

To International Dairy Federation recommendations now incorporated in ISO 2853 and BS4825 Part 4. Designed for use where pipelines remain permanently in position the pipe union incorporates a 'T' section seal achieving a crevice free joint.

Weld Fittings 1"-4". Expand Type 1"-3". Products available to this Standard are as follows:- Fitted Bends · Tees · Concentric and Eccentric Reducers (any combination of end connection) Blank Male parts · Hexagon and Round Nut Spanners · Expanding Blocks · Cutting Wrenches · Expanders. All in addition to the Union Fittings detailed below.



HEX NUT		WELD LINER			SEAL		WELD MALE							
	1"	A	B		1"	A	B	C			1"	A	B	C
	1½"	46	30		1"	25.4	21	33.8			1½"	25.4	21	37.8
	2"	60	30		1½"	38.1	21	47			1½"	38.1	21	50.8
	2½"	75	30		2"	50.8	21	60.5			2"	50.8	21	64.8
	3"	90	30		2½"	63.5	21	74			2½"	63.5	21	77.8
4"	105	30	3"	76.2	21	87.5	3"	76.2	21	91.8				
	4"	134	30	4"	101.6	21	114.1	4"	101.6	21	118.8			


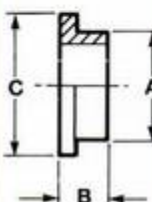

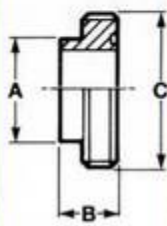
BLANK NUT & CHAIN		EXPAND LINER			BLANK LINER		EXPAND MALE										
	1"	A	B		1"	A	B	C			1"	A	B	C			
	1½"	46	30		1"	25.4	20	33.8			1"	33.8	10.5	1"	25.4	17	37.8
	2"	60	30		1½"	38.1	20	47			1½"	47	10.5	1½"	38.1	20	50.8
	2½"	75	30		2"	50.8	25	60.5			2"	60.5	10.5	2"	50.8	20	64.8
	3"	90	30		2½"	63.5	30	74			2½"	74	10.5	2½"	63.5	25	77.8
4"	105	30	3"	76.2	30	87.5	3"	87.5	10.5	3"	76.2	30	91.8				
	4"	134	30	4"	101.6	30	114.1	4"	114.1	10.5							

ROUND NUT SLOTTED		HOSE LINER			REDUCING LINER EXPAND			BSP ADAPTOR								
	1"	A	B		1"	A	B		1½/71"	A	B	C		1"	A	B
	1½"	48	30		1"	33.8	123		1½/71"	25.4	25	47		1"	37.8	51
	2"	64	30		1½"	47	123		2/71"	25.4	25	60.5		1½"	50.8	51
	2½"	77	30		2"	60.5	123		2½/71"	38.1	28	60.5		2"	64.8	51
	3"	91	30		2½"	74	123		2½/72"	50.8	30	74		2½"	77.8	51
	4"	106	30		3"	87.5	123		2½/71½"	38.1	30	74		3"	91.8	51
		4"	135		30	4"	114.1		123	3/72"	50.8	35		87.5	4"	118.8
							3½/72"	63.5	35	87.5						

SMS

Compatible with European Standards.
 Weld Fittings 1"-4". Expand Type 1"-3".
 Products available to this Standard are as follows:- Fitted Bends · Tees · Concentric and Eccentric Reducers · Blank Nuts · Blank Liners · Expanding Liners and Male Parts · Hose Liners ·


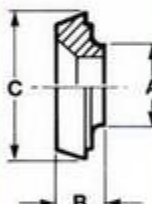

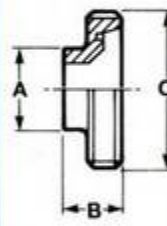
Expanding Reducing Liners · BSP Adaptors · Round Nut Spanners · Blank Male Parts · Expanding Blocks · Cutting Wrenches · Expanders. All in addition to the Welding Union Fittings detailed below.

ROUND NUT SLOTTED		WELD LINER			SEAL			WELD MALE						
		A	B			A	B	C				A	B	C
	1"	51	20		1"	25.4	17	35.5			1"	25.4	20	40.6
	1½"	74	25		1½"	38.1	20	55			1½"	38.1	23	60.6
	2"	84	26		2"	50.8	20	65			2"	50.8	25	70.6
	2½"	100	30		2½"	63.5	24	80			2½"	63.5	30	86.6
	3"	114	32		3"	76.2	24	93			3"	76.2	35	98.6
4"	150	30	4"	101.6	25	127	4"	101.6	30	132.6				

DIN 11851

Compatible with European Standards.
 Fittings available for use with both Imperial and Metric size tubing.
 Weld Fittings 1"-4". Expand Type 1"-3".
 Products available to this Standard are as follows: Fitted Bends · Tees · Concentric and Eccentric Reducers · Blank Nuts · Blank Liners ·

Expanding Liners and Male Parts · Hose Liners · Expanding Reducing Liners · BSP Adaptors · Round Nut Spanners · Blank Male Parts · Expanding Blocks · Cutting Wrenches · Expanders · Welding Liners and Male Parts for Metric tube. All in addition to the Imperial Welding Union Fittings detailed below.

ROUND NUT SLOTTED		WELD LINER			SEAL			WELD MALE						
		A	B			A	B	C				A	B	C
	1"	63.5	21		1"	25.4	18	43			1"	25.4	23	52.6
	1½"	78	21		1½"	38.1	18	55			1½"	38.1	23	65.6
	2"	92	22		2"	50.8	19	67			2"	50.8	25	78.6
	2½"	112	25		2½"	63.5	21	85			2½"	63.5	29	95.6
	3"	127	29		3"	76.2	21	99			3"	76.2	33	110.4
4"	148	30	4"	101.6	25	120	4"	101.6	35	130.4				

CLAMP

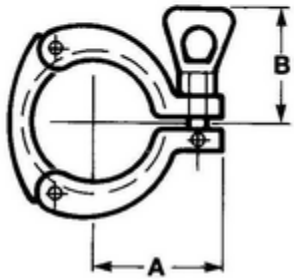
To ISO recommendations now incorporated in BS4825 Part 3. Designed for use in pipelines where there exists the possibility of contamination.

Pipelines can be assembled or disconnected without the use of a spanner.

Weld Fittings 1"-4".

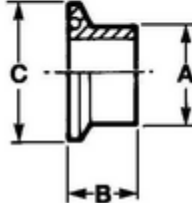
Products available to this Standard are as follows:- Fitted Bends · Tees · Concentric and Eccentric Reducers · Blank Liners · Hose Liners · Weld Reducing Liners. All in addition to the Welding Union Fittings detailed below.

CLAMP



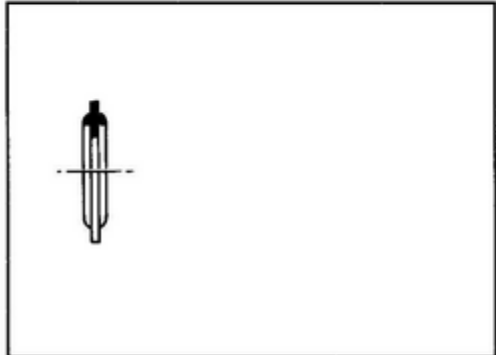
	A	B
1"	47	51
1½"	47	51
2"	57	51
2½"	63.5	51
3"	71	51
4"	87	51

FERRULE



	A	B	C
1"	25.4	28.6	50.4
1½"	38.1	28.6	50.4
2"	50.8	28.6	63.9
2½"	63.5	28.6	77.4
3"	76.2	28.6	90.9
4"	101.6	28.6	118.9

SEAL



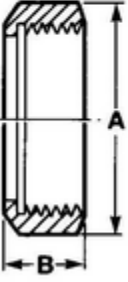
SRJT

Designed to incorporate the easy assembly characteristics of RJT together with the CIP qualities of IDF.

Weld Fittings 4" only.

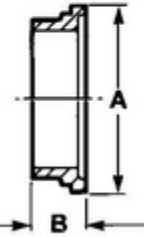
Products available to this Standard are as follows:- Fitted Bends · Tees · Blank Liners. All in addition to the Welding Union Fittings detailed below.

HEX NUT



	A	B
4"	129	27

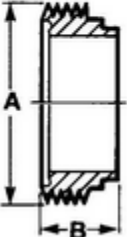
WELD LINER



	A	B
4"	117.5	16.3

SEAL

WELD MALE



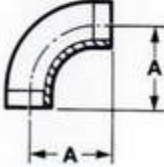
	A	B
4"	124	29

BENDS, TEES, REDUCERS

Bends: 90°, 45° and 180° (not illustrated).
 Available: 1" & 1½" 18 gauge or 16 gauge –
 2", 2½", 3" 16 gauge – 4" 16 gauge or 14 gauge.
 Polished o/d descaled i/d or fully descaled.

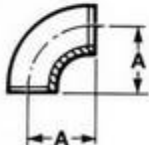
90° WELD OR EXPAND

	A
1"	65
1½"	85
2"	110
2½"	135
3"	155
4"	195



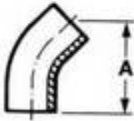
90° WELD ONLY

	A
1"	44
1½"	64
2"	89
2½"	114
3"	134
4"	174



45° WELD OR EXPAND

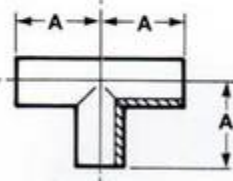
	A
1"	73.5
1½"	88
2"	111.5
2½"	135.5
3"	150.5
4"	180.5



Tees: Equal, Pulled and Reducing (not illustrated).
 Available: 1", 1½", 2", 2½" and 3" 16 gauge –
 4" 16 gauge or 14 gauge.
 Polished o/d descaled i/d or fully descaled.

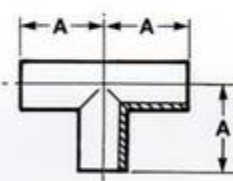
EQUAL WELD OR EXPAND

	A
1"	65
1½"	85
2"	110
2½"	135
3"	155
4"	195



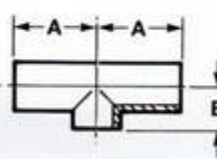
EQUAL WELD ONLY

	A
1"	44
1½"	64
2"	89
2½"	114
3"	134
4"	174



PULLED

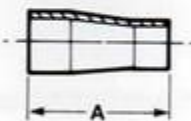
	A	B
1"	65	29.4
1½"	85	42.1
2"	110	54.8
2½"	135	67.5
3"	155	80.2
4"	195	105.6



Reducers: Concentric and Eccentric. Bottle Type and Cone Type (not illustrated).
 Available: 1", 1½", 2", 2½" and 3" 16 gauge –
 4" 14 gauge.
 Polished o/d descaled i/d or fully descaled.

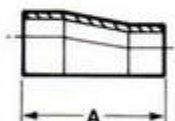
CONCENTRIC

	A
1½/1"	97
2/1"	115
2/1½"	97
2/2"	97
2½/1½"	115
3/2"	115
3/2½"	97
4/2½"	120
4/3"	120



ECCENTRIC

	A
1½/1"	102
2/1"	-
2/1½"	102
2/2"	102
2½/1½"	-
3/2"	-
3/2½"	102
4/2½"	-
4/3"	118



The information given in this leaflet could be subject to change without notification.



HYGIENIC VALVES AND FITTINGS LIMITED
Unit 8 · Huffwood Trading Estate · High Street
Partridge Green · West Sussex · RH13 8AU
Tel: (01403) 710255 · Fax: (01403) 710338